



# Optimum Pool

**THE ALL-TERRAIN POOL**

**WHY  
OPTIMUM  
IS A  
GAME  
CHANGER**

*With Optimum you can have it all!  
Options like steps, a deep end, inground,  
above ground, round, oval, freeform.  
Imagine all of Optimum's endless options  
that can make your backyard dreams a  
reality.*

**VERS**

**DURA**

**ENVI**

# ABLE

An above ground pool that is designed to be installed partially or even fully inground?  
Madness, you say? Reality, we say!



# ABLE

The Optimum Pool is manufactured with high quality components that are resistant to rust, corrosion, and chemicals that are present in soil. Durable materials and thoughtful engineering yield a pool that can hold up to just about anything Mother Nature throws its way.



# ABLE

Efficient.  
Beautiful.  
Environmentally conscious.  
Flexible.  
Fun.  
**Yours.**



# OPTIMUM'S

# DETAILS

A gold-bordered badge with a black background and radiating lines. It features two rows of five gold stars each. A gold ribbon banner across the center contains the text "LIFETIME WARRANTY" in black, bold, uppercase letters.

**LIFETIME WARRANTY**

Super durable, yet lightweight aluminum provides superior resistance to rust and corrosion, while maintaining strength and beauty over the years. And we back up our claims with one of the strongest warranties in the business - Lifetime Warranty Protection!



## OPTIMUM STRENGTH

---

*Today's goals of sustainability and energy efficiency are crucial, and the proper use of insulation is becoming more important than ever. With its revolutionary insulated wall panels, the Optimum wall offers superior heat retention, which can save the average Optimum owner up to 25% annually on pool heating costs. This heat retention also extends your swim season by several weeks – earlier in the spring and later in the fall, allowing you to enjoy your pool season for several extra weeks.*

# R WALL

The Optimum Pool wall features two-inch thick insulated foam, "sandwiched" between two sheets of durable aluminum. The foam wall material is treated with a safe, non-toxic insect repellent to prevent nesting pests that can damage the wall.

## INSECT RESISTANT



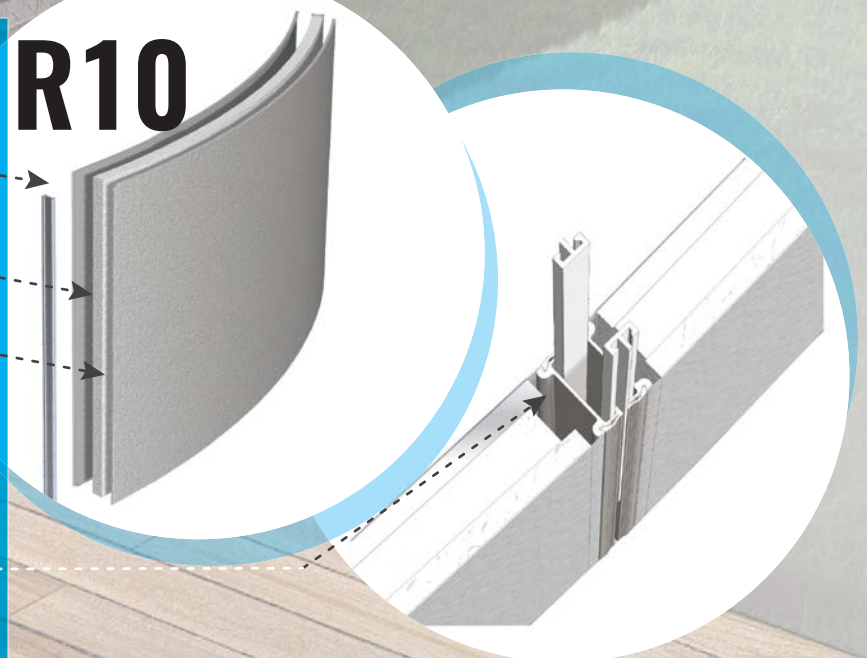
Water-based, environmentally safe 3M adhesive offers complete coverage.

Thermal insulation retains heat, reduces costs with an R10 insulation value.

Aircraft-grade aluminum alloy.

Easy assembly.  
Wall panels easily lock together with aluminum splines.

## R10



# OPTIMUM'S FINISHING

**INSTALLING A DECK? PAVERS? STEPS? A DEEP END?**

Whatever your plans for your Optimum Pool, you'll discover plenty of beautiful, on-trend finishing options that will enhance your yard and your summers.

For inground applications, thermoplastic ABS steps can be installed with an attachment kit that integrates the step with the Optimum Pool wall. Or, pour-in-place steps, specially designed to work with Optimum pools.



**ABS STEPS**



**POUR-IN-PLACE STEPS**

The Optimum can also be customized with an in-pool bench or sun deck, creating a relaxing spot to sit and enjoy the warm sun. Benches are available for every size and shape, and require special liners (ask your dealer for more information).

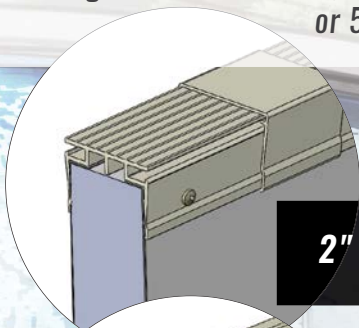
# OPTIONS

## A FEW WORDS ABOUT COPING

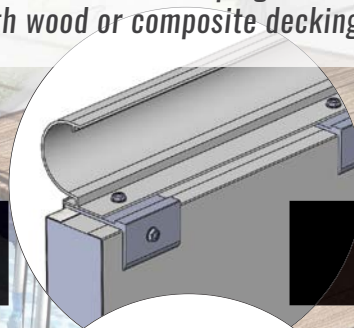
Coping adapter clips facilitate the use of concrete CP2 type coping, foam concrete forms, paver coping track, or decorative 4" resin coping.

The Optimum Pool comes standard with 2-inch standard coping. Premium 4" coping is available as an optional upgrade. All coping styles include a built-in beaded liner receptacle for simple liner installation.

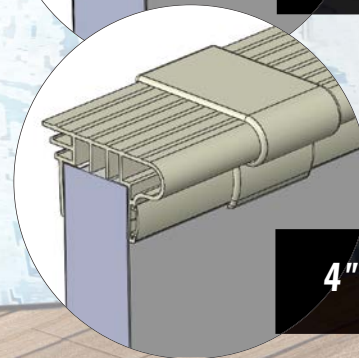
For inground installations, adapter kits with CP2 or paver bead track coping offer compatibility with pavers, or 5/4 deck coping for use with wood or composite decking.



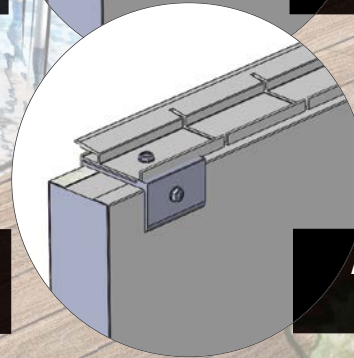
**2" STANDARD COPING**



**Adapter CP2 clips for inground installations**

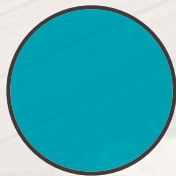


**4" PREMIUM COPING**

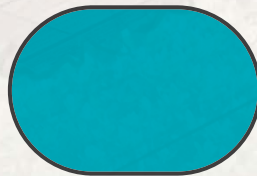


**Adapter paver clips for inground installations**

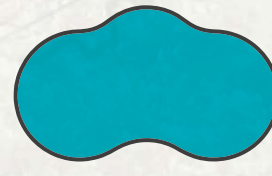
## CUSTOMIZE YOUR OPTIMUM POOL



12 | 14 | 16 | 18  
21 | 24 | 27 | 30



16x24 | 16x28 | 16x32  
18x26 | 18x30 | 18x34



14x23 | 15x28  
17x30 | 19x32

Strapless oval deep end for semi and fully inground installations.

Yardmore buttress-free oval system reduces the footprint of an oval pool while maximizing the "Fun Zone" by eliminating wasteful, unattractive supports in your yard.



The endless options of the Optimum Pool mean that no matter what type of backyard you have – small, hilly, sloped, flat – you will find an installation style that will enhance your yard and your lifestyle.

A variety of sizes in round, oval and freeform shapes enable you to fully customize a pool that your family will enjoy for many years.

**Endless options, endless fun!**



[www.optimumswimpools.com](http://www.optimumswimpools.com)